

# MT 625



COMPACT HANDLING SOLUTIONS



 **MANITOU**

[www.manitou.com](http://www.manitou.com)

## Your MANITOU telescopic forklift, a **multi purpose** machine...

Your productivity and safety are linked to your choice of attachments. Developing our machines permit us to find the attachment that will bring you the best efficiency, but still respecting standards. Choosing a MANITOU attachment is the best choice for your MT!



The universal MANITOU attachment system is easy and simple to use. You can attach / detach your accessories without difficulty.

## ...for a **multitude of applications**

MANITOU attachments for all your on-site needs, optimizing your working time and your forklift's productivity:

MATERIAL HANDLING		
Rehandling Bucket	4 in1 Bucket	Construction Bucket
		

LOAD PLACING	
Hook Jib	Forks
	

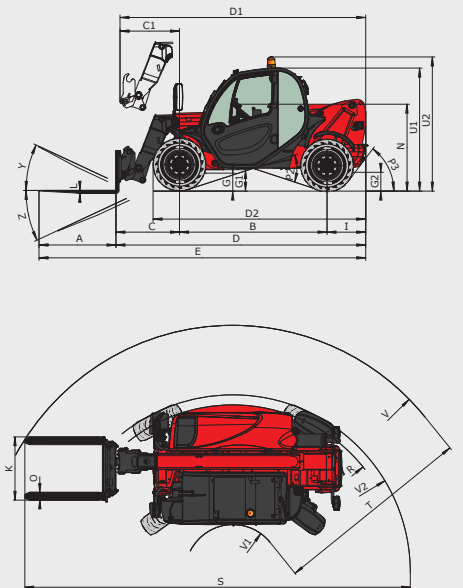
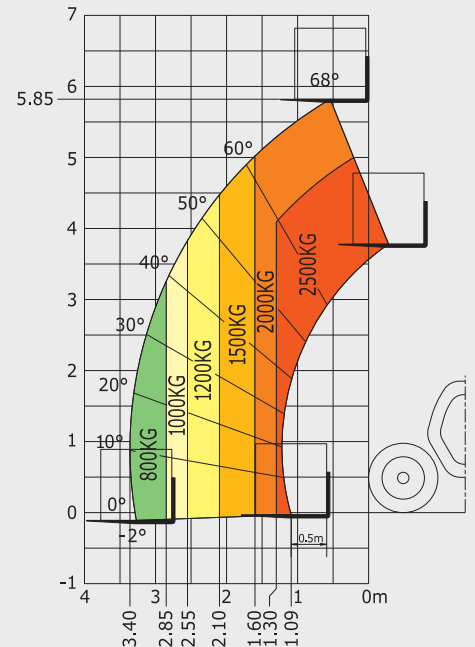
CONSTRUCTION WORKING	
Concrete Skip	Sweepers and cleaners
	

MT 625 H	
<b>Lifting</b>	
Max. capacity	2500 kg
Max. lifting height	5.85 m
Break-out force with bucket (ISO 8313)	3427 daN
<b>Unladen time</b>	
Lifting	8.0 secs
Lowering	5.4 secs
Extension	5.6 secs
Retraction	4.3 secs
Crowd	3.5 secs
Dump	3.6 secs
<b>Tyres</b>	12-16.5 12PR SKS CL TUBELESS
<b>Braking</b>	
Service brake	Oil immersed multi-disc braking
Parking brake	Automatic Negative Handbrake
<b>Engine</b>	
Type	KUBOTA STAGE III B / FINAL TIER 4
Cubic capacity	V3307-DI-T-E4B
Power	4 cylinders - 3331 cm <sup>3</sup>
Max. torque	75 HP/55.4 kW
Injection	265 Nm
Cooling	direct
Laden drawbar pull	water
<b>Transmission</b>	3550 daN
Reversing shift	hydrostatic
Number of gears (forward/reverse)	electro-hydraulic
Max. travel speed (may vary according to applicable regulations)	2/2
Steering mode	25 kph
<b>Controls</b>	
	4 wheel steer - 3 Steering Modes
	JSM® Joystick multi - function
	Load Limiter Cut off system - EN15000 Norm
<b>Hydraulics</b>	
Pump	gear type with priority valve 90 l/min - 235 bar
<b>Capacities</b>	
Cooling system	12 l
Oil engine	11.2 l
Hydraulic oil	115 l
Fuel	63 l
<b>Unladen weight (with forks)</b>	4800 kg
<b>Dimensions</b>	
<b>C.</b> Front wheel centre to carriage	0.99 m
<b>B.</b> Wheelbase	2.30 m
<b>I.</b> Rear wheel centre to rear face	0.60 m
<b>D.</b> Overall length to carriage	3.90 m
<b>G1.</b> Ground clearance	0.33 m
<b>J.</b> Overall width of cab	0.79 m
<b>F.</b> Inside tyre width	0.79 m
<b>W.</b> Overall width	1.49 m
<b>U1.</b> Overall height	1.81 m
Standard forks (length x width x thickness)	1.92 m
Turning radius (over tyres)	1200 x 125 x 45 mm
<b>Noise and vibration</b>	3.31 m
Noise at driving position (LpA)	76 dB
Environmental noise (LwA)	104 dB
Vibration to whole hand/arm	<2.50 m/s <sup>2</sup>

## Rough terrain load chart

standard EN1459 B

### Machine on tyres with forks



mm	
A	1200
B	2300
C	991
C1	928
D	3894
D1	3831

D2	3275
E	5094
F	1492
F1	1492
G	240
G1	330
G2	253

I	603
J	797
K	1015
L	45
N	1314
O	125
P2	37°

P3	52°
R	3150
S	6651.5
T	3935
U1	1920
U2	2054
V	4700

V1	765
V2	3310.5
W	1813
Y	12°
Z	117°

